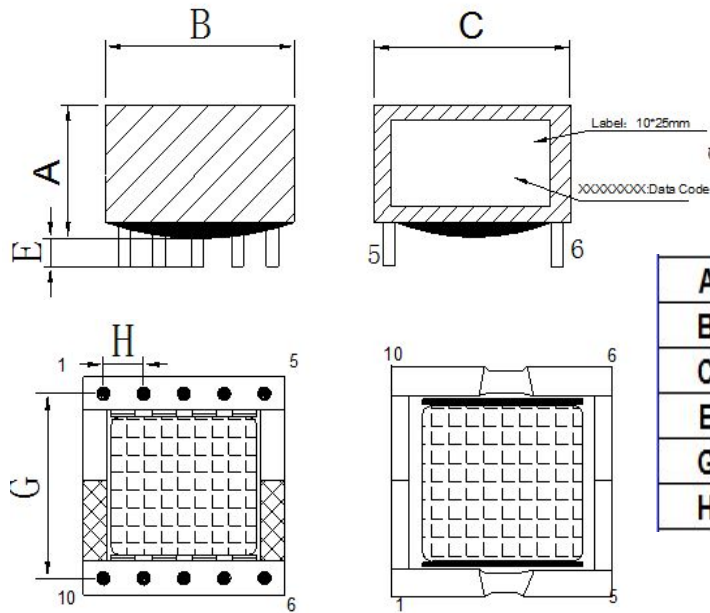


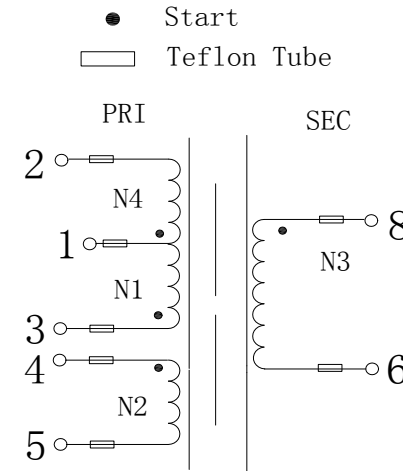
CUSTOMER TERMINAL	ROHS	Lead(Pb)-free
	YES	YES

### 1.Mechanical Dimensions



<b>A</b>	16.0	MAX
<b>B</b>	28.0	MAX
<b>C</b>	26.6	MAX
<b>E</b>	3.0	±0.5
<b>G</b>	22.5	±0.4
<b>H</b>	5.0	±0.3

### 2.Schematic Diagram



### 3.Material List

Core:FW44 EFD25/25/9  
 Bobbin:FWB2506(5+5PIN)  
 Wire:2UEW TIW  
 Operating Temperature: -30 to115 °C

### 4.Electrical Specification

Inductance : L(3-2):1.7mH±5% 40KHZ , 1.0V  
 Leakage Inductance : 35uH MAX 40KHZ , 1.0V  
 DCR : (3-2)=3.2Ω MAX (8-6)=283.7mΩ MAX  
 Hi-Pot:P-S: AC 60Hz 4000V 1mA 3S

REV.	DATE	 Convention Placement	DRW.	Drawing Title:	Part No:		
0	00/00		CHK.			<b>TRANSFORMER</b>	FWPTEFD25H172J
			APP.			Customer P/N	Specification Sheet 1of 1
<b>ROHS</b>		<a href="http://www.ferriwo.com">www.ferriwo.com</a>					